

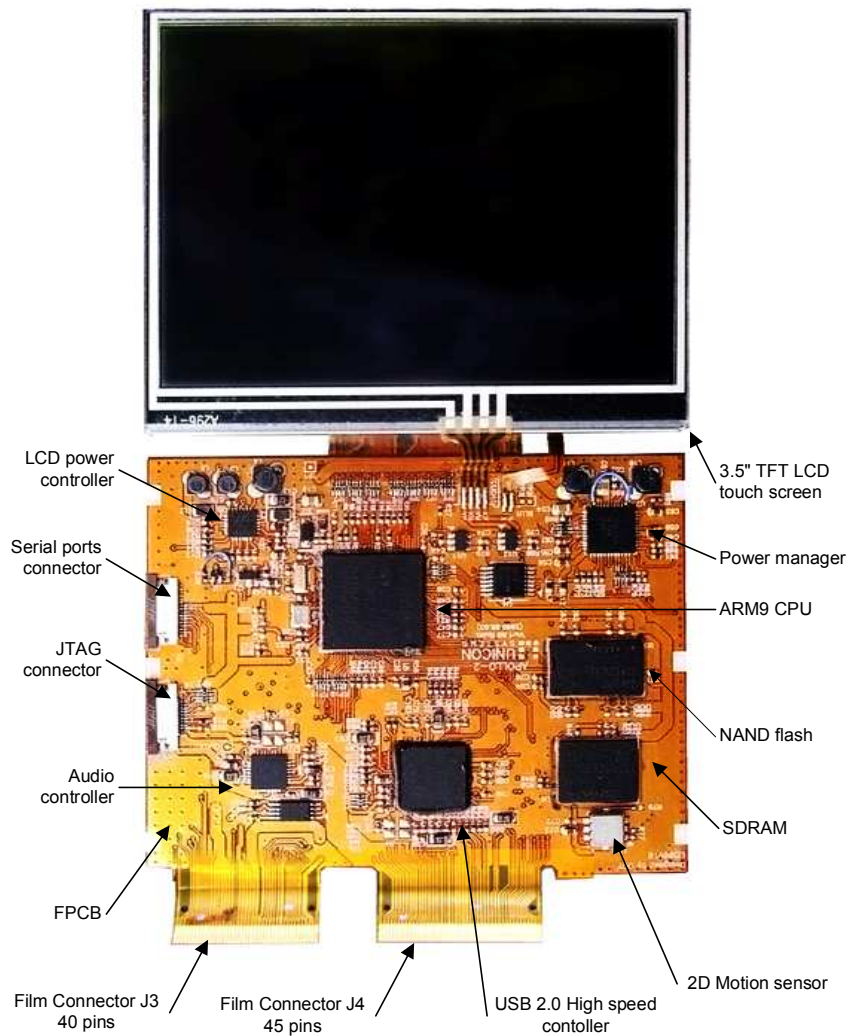
SoD3500-266Inx-0914



System on Display (SoD) product family by Unicon Systems introduces high integrated standard components for embedded systems that include output, input and processing functions in a compact design. Standard, well defined hardware and software interfaces makes SoD easy to integrate in various embedded designs.

Overview

High integrated System on Display featuring 3.5" TFT color touch screen display and Linux running platform on ARM9 CPU build in a compact slim form factor.



HARDWARE FEATURES HIGHLIGHTS

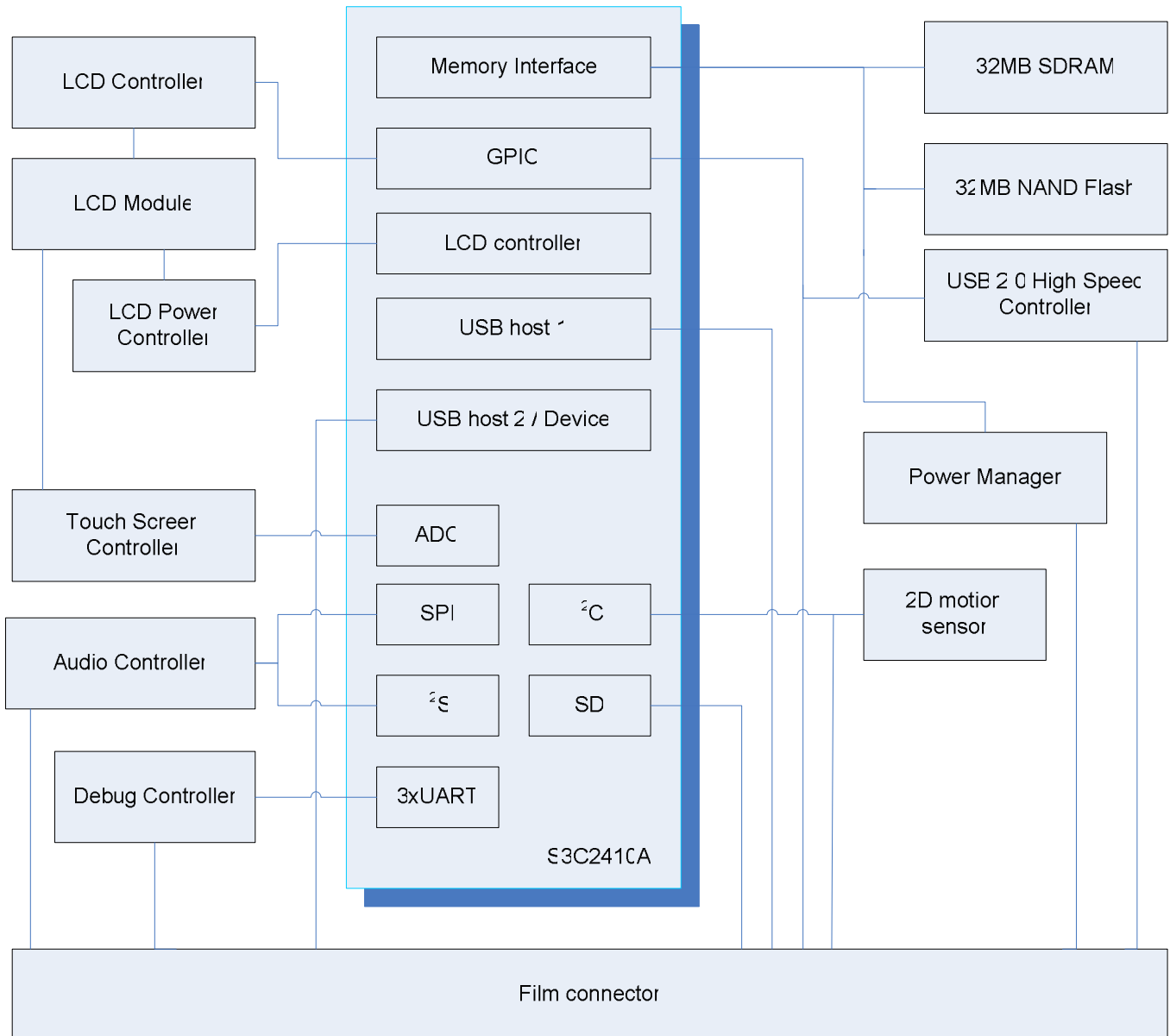
CPU	ARM9 S3C240A embedded CPU at 266 MHz
Memory	32 MB SDRAM 32 MB flash
Screen	TFT LCD QVGA 3.5" 16M color screen High resolution touch screen
Ports	2 x host USB 2.0 high speed 1 x OTG USB 2.0 high speed 1 x host USB 2.0 full speed 1 x device USB 2.0 full speed
Connectivity	WiFi 802.11b * IrDA port * 2 x RS232 I2C SDIO JTAG
Audio	Stereo in Stereo out Headset
Other	2D motion sensor SD, XD, MMC, MS card expansion slot *

(*) supported within the reference design

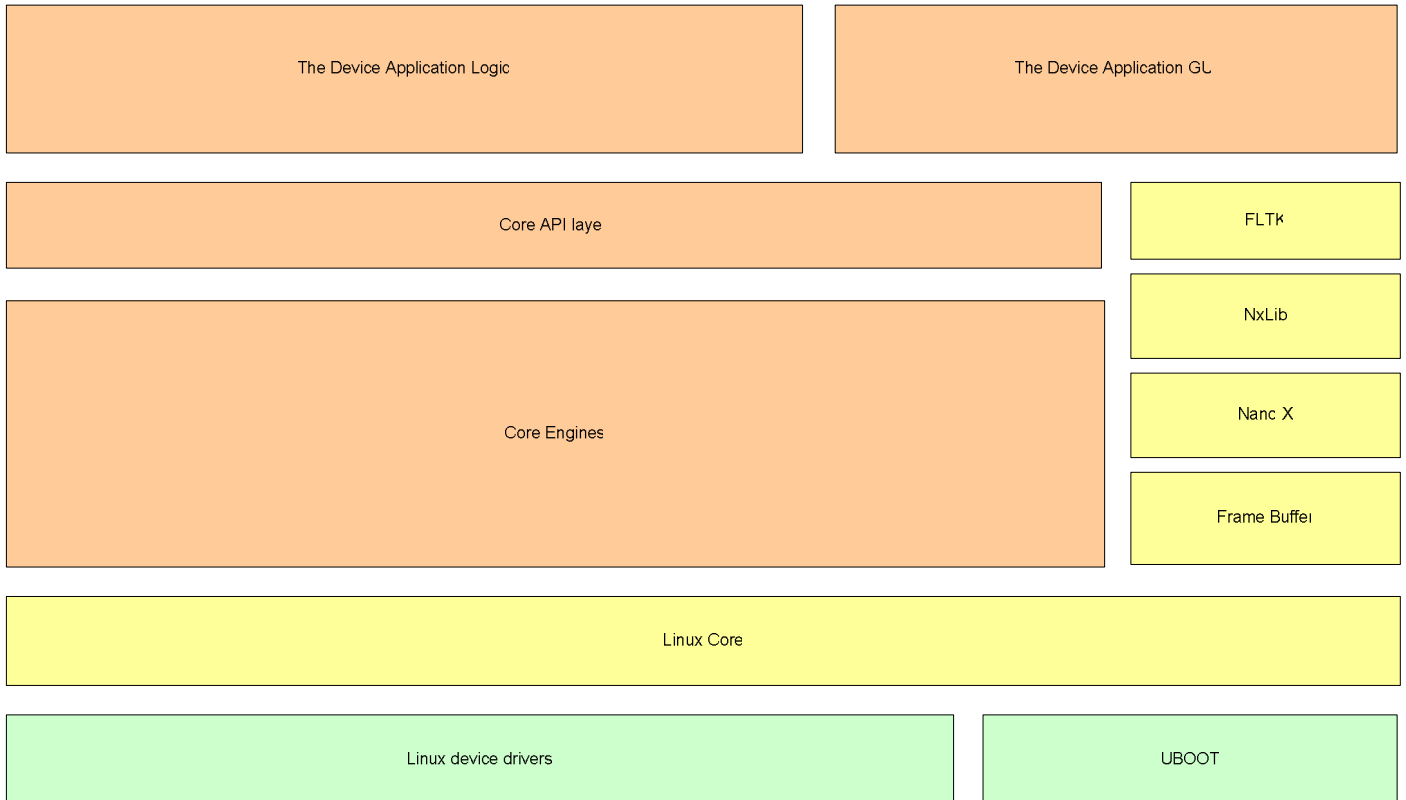
SOFTWARE FEATURES HIGHLIGHTS

Operating system	Linux 2.6.13
Graphics user interface	Nano-X graphics FLTK graphics toolkit Fast and powerful GUI with touch screen support Easy customizable and extendable UML state machine GUI engine
Architecture	Layered software stack design
Development	Complete Linux development tool chain: Linux ARM platform Linux Intel platform MS Windows XP platform

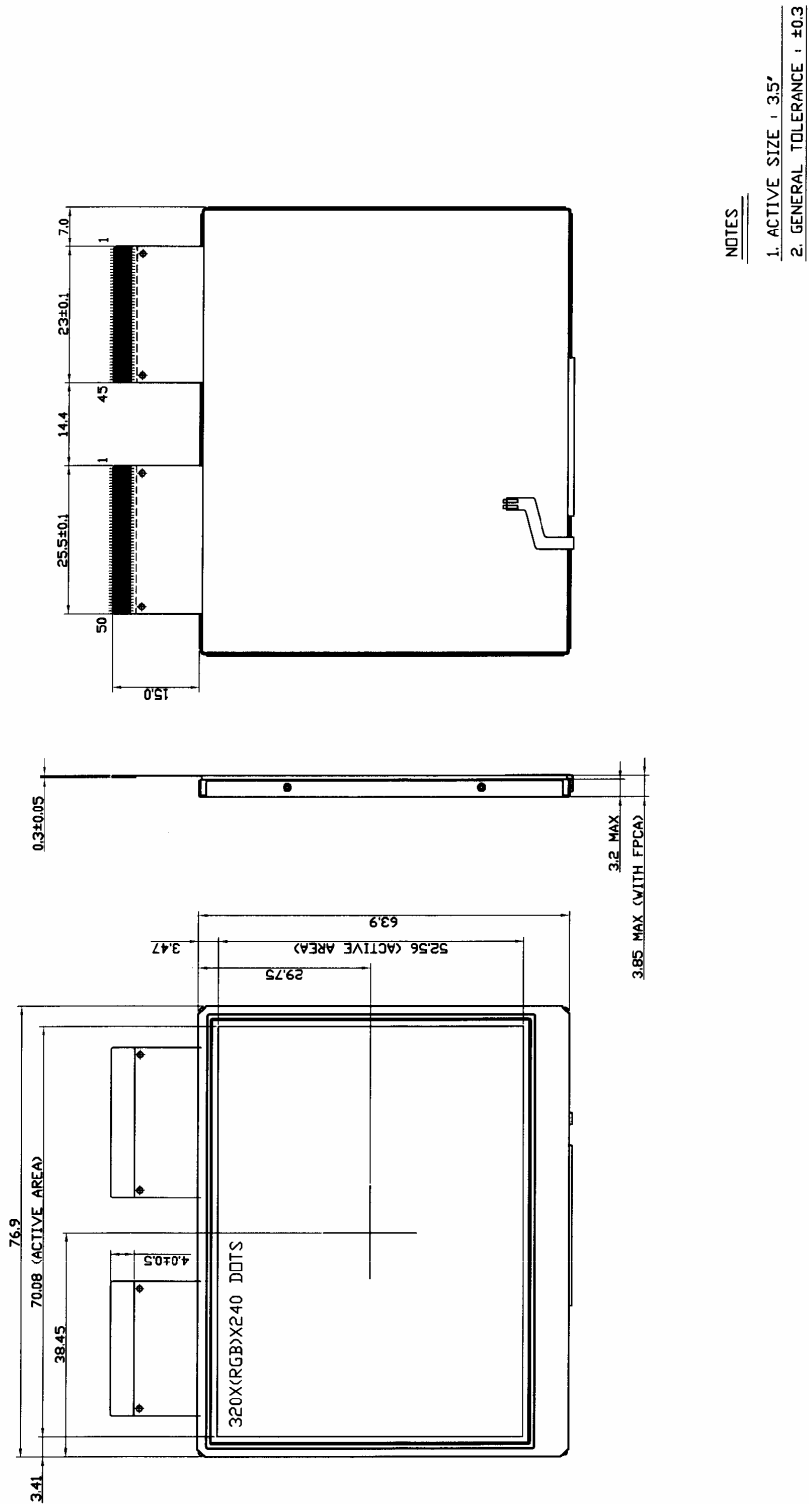
Hardware Overview



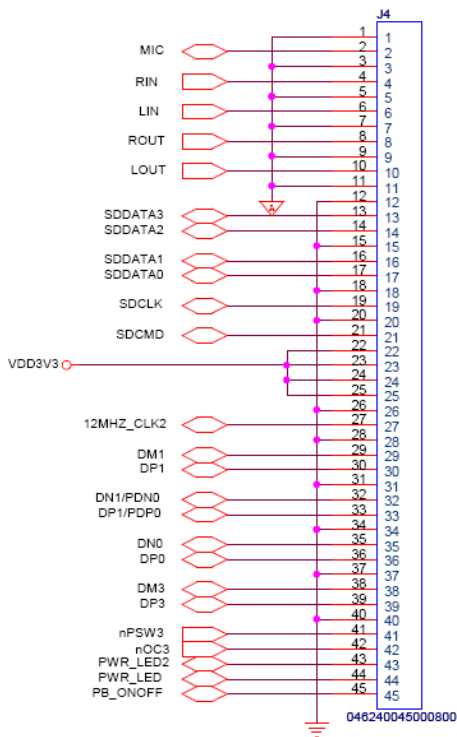
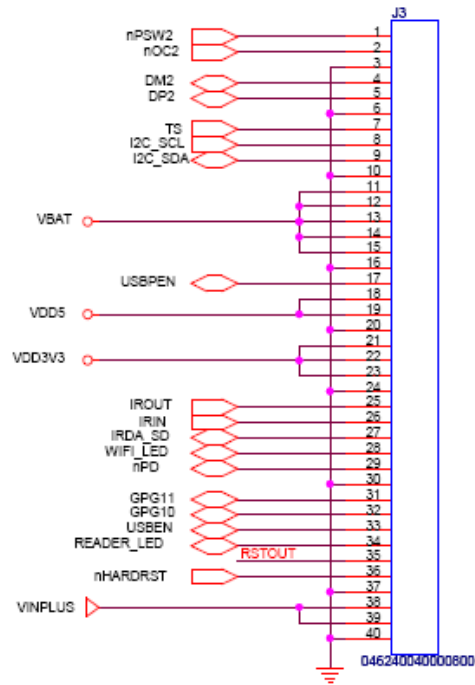
Software stack Overview



Mechanical Drawing



Interface pin-out



Reference design

Unicon Systems provides reference designs to simplify custom development using SoD modules.

